

MTBP - 14 (Kit)

MTBP – TELESCOPIC Platform



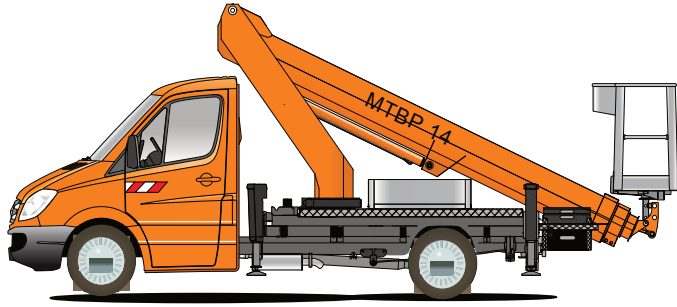
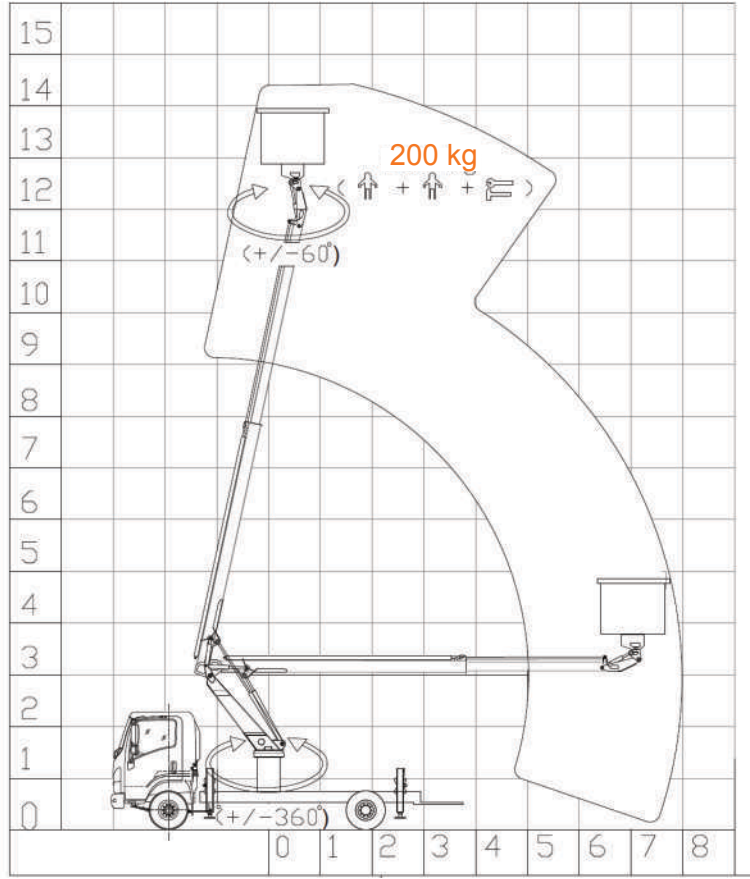
Telescopic Platform

- Working height 14 Meters
- Side reach up-to 10 Meters
- 200 kg Bucket Capacity
- Kit designed for 5500 kg GVW chassis

STANDARD FEATURES

- ✓ Telescopic boom (2 elements: main boom + 1 telescopic extension)
- ✓ Continuous rotation 360 degrees
- ✓ Max. outreach 10 meters (200 kg)
- ✓ Electronic controls in the basket
- ✓ Engine Start/Stop from control panel
- ✓ Hydraulic controls from the ground, installed on turntable
- ✓ Overload alarm
- ✓ System to automatically limit the outreach depending on the weight in the basket (M+ system)
- ✓ Ground Egress
- ✓ Ideal for street light maintenance work
- ✓ Aluminum basket or standard glass filled nylon base
- ✓ Safety Valves against any damage in hydraulic lines
- ✓ Actuated Warning Light System when boom is operational
- ✓ Safety at maximum load and lateral outreach
- ✓ 60° right + 60° left hydraulic rotating basket
- ✓ Automatic basket leveling by hydraulic parallelogram
- ✓ Emergency manual pump
- ✓ Internally installed electrical and hydraulic hoses

WORKING ENVELOPE



AVAILABLE OPTIONS

- 12V or 24V electric system
- Working light in the basket
- 230V AC electric socket in the basket

PERFORMANCE

	Working height	14,00 m		Total length of vehicle	6,44 m***
	Lifting height	12,00 m		Perm. sitting inclination	5°**
	Outreach	10,00 m*		Perm. total weight ≥	5.500 kg
	Size of working cage	1,40 x 0,70 m		Range of rotation	360°
	Working cage load	200 kg		Wheelbase Carrier chassis	3,60 m

* depending on load, angle of rotation and outfit

** with restriction of performance data

*** Depending on the chassis model

Contact

MERAJ Türkiye

KOSBAŞ Serbest Bölgesi - Sepetlipınar SB Mah.
107 Cad. Modüler İşyeri No. 5 iç Kapı No.
Başiskele - Kocaeli 41090 - Türkiye

Tel: +90-262-341-4372
Ph: +90-543-414-52-70
E-mail: sales@meraj.com.tr

www.meraj.com.tr

Text and photos are non-binding. The photos may show extra optionals only available at extra charge. The right to change make changes in accordance with technical progress is retained.

Special Application Trucks & Pumps | **Since 1976**