

# Telescopic Lorry Cranes

Hydraulics Division - MERAJ



## General

The TC-6006 is a highly efficient and versatile telescopic lorry crane, designed to meet the needs of various industries. This crane is primarily operated using side levers, making it easy to maneuver and control during various lifting tasks. It is compatible with trucks that have a payload capacity of over 6-tons, which ensures that it can be used for a wide range of applications. With a net weight of approximately 3300 kg, the TC-6006 offers a solid balance of power and portability, making it an excellent choice for those in need of a reliable and effective lorry crane solution.

## Performance

- Max. lifting capacity: 6-ton / 2.4 m
- Max. lifting height: 18.5 m
- Max. working radius: 16.2 m
- Max. working height: 19.5 m

MAX. Rated Load 6000 kgf / 2.4 m		
Load Capacity (Kgf / m)	3830 / 3.9	1 <sup>st</sup> Boom
	2190 / 6.3	2 <sup>nd</sup> Boom
	1390 / 8.8	3 <sup>rd</sup> Boom
	1040 / 11.2	4 <sup>th</sup> Boom
	790 / 13.7	5 <sup>th</sup> Boom
	620 / 16.2	6 <sup>th</sup> Boom

## Structure & Construction

The telescopic crane boasts an innovative boom construction that incorporates several unique features to enhance its performance and versatility. Its hexagonal shape not only adds to the visual appeal, but also contributes to the stability and strength of the crane. The boom is divided into six sections, consisting of three cylinders and two wire, which allows for smooth and efficient operation.

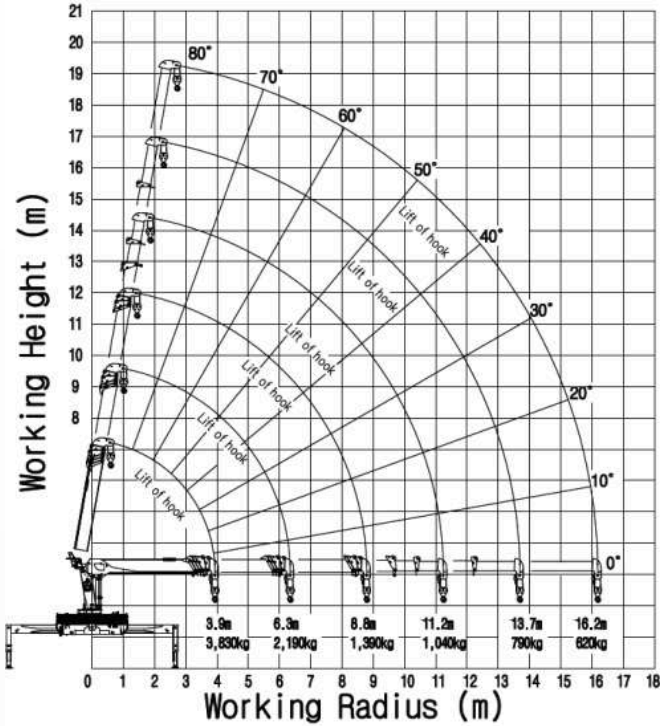
One of the key features of this telescopic crane is its wide range of angle adjustment, from 0 to 80 degrees, making it suitable for numerous applications and work environments. The combination of the hexagonal shape, sectional design, and adjustable angle ensures that this crane can effectively meet the demands of various tasks while providing exceptional stability and reliability.

## Fluids

- Rated Flow 61 L / min
- Oil Tank 95 L

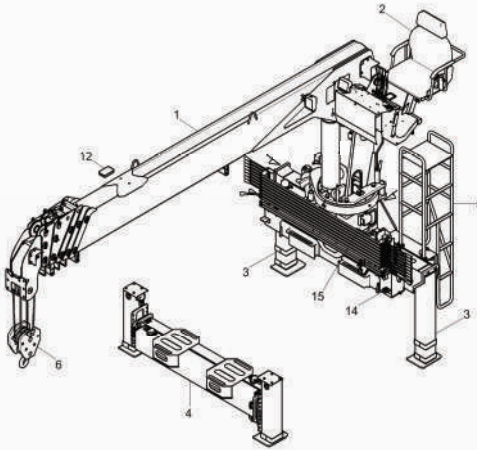
# Telescopic Lorry Cranes

Hydraulics Division - MERAJ



## Outriggers

Outrigger No. 2 (Main), 2 (Rear)  
Outrigger type Hydraulic (Vertical + Horizontal)



## Hydraulic Winch

The hydraulic winch is an essential component of TC-6006, and it features a spur gear reduction and mechanical brake design. This combination ensures smooth and controlled operation while maintaining the necessary power for various tasks. The winch is equipped with an 10 mm-thick wire rope that spans 120 meters, providing ample length for a wide range of applications.

To ensure the safety of both the equipment and the operators, the hydraulic winch includes a hook safety latch as a safety device. This latch helps prevent accidental disengagement of the hook, reducing the risk of injury or damage to the load.

## Safety Devices

- Pressure Relief Valve
- Counterbalance Valve
- Pilot-operated Check Valve
- Boom angle indicator
- Hook safety latch
- Winch Brake
- Warning Alarm
- Emergency Stop Switch
- Overwinding Alarm
- Wire separation prevention

BOOM ANGLE	BOOM											
	1st BOOM		2nd BOOM		3rd BOOM		4th BOOM		5th BOOM		6th BOOM	
80°	0.59m	7,000kg	1.01m	4,550kg	1.44m	3,480kg	1.86m	2,830kg	2.29m	2,350kg	2.72m	2,120kg
70°	1.23m	7,000kg	2.12m	4,050kg	2.96m	3,000kg	3.79m	2,370kg	4.63m	2,130kg	5.49m	1,900kg
60°	1.95m	6,830kg	3.15m	3,630kg	4.38m	2,620kg	5.60m	2,060kg	6.83m	1,620kg	8.08m	1,400kg
50°	2.54m	6,200kg	4.08m	3,210kg	5.66m	2,220kg	7.23m	1,700kg	8.81m	1,330kg	10.41m	1,070kg
40°	3.04m	5,100kg	4.88m	2,910kg	6.76m	1,930kg	8.64m	1,460kg	10.51m	1,140kg	12.42m	900kg
30°	3.44m	4,410kg	5.52m	2,630kg	7.65m	1,740kg	9.77m	1,310kg	11.89m	1000kg	14.05m	800kg
20°	3.72m	4,140kg	5.99m	2,460kg	8.29m	1,580kg	10.60m	1,210kg	12.90m	930kg	15.24m	740kg
10°	3.89m	3,930kg	6.26m	2,340kg	8.68m	1,470kg	11.09m	1,120kg	13.50m	860kg	15.96m	680kg
0°	3.93m	3,830kg	6.34m	2,190kg	8.79m	1,380kg	11.24m	1,040kg	13.69m	790kg	16.18m	620kg

## Contact

### MERAJ Türkiye

KOSBAŞ Serbest Bölgesi - Sepetlipınar SB Mah.  
107 Cad. Modüler İşyeri No. 5 iç Kapı No.  
Başiskele - Kocaeli 41090 - Türkiye

Tel: +90-262-341-4372  
Ph: +90-543-414-52-70  
E-mail: sales@meraj.com.tr

[www.meraj.com.tr](http://www.meraj.com.tr)

*Text and photos are non-binding. The photos may show extra optionals only available at extra charge.  
The right to change make changes in accordance with technical progress is retained.*

Special Application Trucks & Pumps | Since 1976